

**ADF, Paper Drive, Scanner****ADF Assembly**

- 1 C5374-60004 Upper ADF assembly - Includes document sensor flag, edge sensor flag, antistatic brush, and pinch rollers
C5374-69001 *New Part for C5374-60004*

Bracket

- 2 C5374-40054 Scanner lamp PC board bracket

Bushing

- 3 C5374-40021 Roller bushing

Cable

- 4 C5374-60027 Scanner assembly ground cable
NO LONGER SUPPLIED
- 5 C5374-80001 Cable assembly - Has a 7 pin (F) connector, a 5 pin (F) connector, and a 3 pin (F) connector - Overall length is 48.3cm (19 inches)
NO LONGER SUPPLIED
- 6 C5374-80005 Ribbon cable - Has 15 pin (M) edge connectors - 41.3cm (16.3 inches) long
NO LONGER SUPPLIED

Chassis

- 7 C5374-40008 Lower ADF chassis - Large interior case part - Items such as the scanner assembly, ADF feed roller, prescan roller, and postscan roller mount on this part

Clutch

- 8 C5374-40056 Feed roller clutch

Front Panel

- 9 C5374-60006 Front panel assembly - Includes front panel PC board, bezel, and cable
NO LONGER SUPPLIED
- 10 C6673-60012 Front panel assembly - Includes front panel PC board, bezel, and cable (for Hong Kong)

Gear

- 11 C5374-40015 Motor drive gear (Dual gear)
- 12 C5374-40018 Gear cluster (Dual gear)
- 13 C5374-40019 Roller drive gear
- 14 C5374-40055 Feed roller gear
C6747-40034 *New Part for C5374-40055*

Guide

- 15 C5374-80025 Paper guide - For lower ADF feed roller

Latch

- 16 C5374-60022 Latch - Holds lower ADF assembly in place

PC Board

- 17 C5374-60155 Scanner lamp PC board - Drives scanner lamp
NO LONGER SUPPLIED

Plate

- 18 C5374-60016 Motor Plate - Holds ADF Stepper Motor and several gears

Reference

- 19 C5374-69001 White reference - White plastic item used to calibrate the scanner assembly and applies pressure to the top of the document as it moves across the scanner glass
NO LONGER SUPPLIED

Retainer

- 20 C5374-40051 Scanner assembly retainer clip

**ADF, Paper Drive, Scanner****Roller**

- 21 C5374-60015 ADF feed roller (Short wide roller) mounts in center of the lower ADF chassis assembly
- 22 C5374-60020 Prescan roller - Shaft with 3 rollers - Mounts on underside of the lower ADF chassis
- 23 C5374-60021 Postscan roller - Shaft with 2 rollers - Mounts on underside of the lower ADF chassis

Scanner Assembly

- 24 C5374-60010 Scanner assembly - Includes light, mirrors, scanner CCD array, scanner PC board - No lower lever parts available
NO LONGER SUPPLIED

Separator

- 25 C5374-60019 ADF separator assembly
- C5374-69001 *New Part for C5374-60019*

Shaft

- 26 C5374-40038 Feed roller shaft - Installed over lower ADF feed roller

Shield

- 27 C5374-40050 Scanner CCD PC board shield

Spring

- 28 C5374-80023 Feed roller spring on lower ADF feed roller
- 29 C5374-80033 White reference spring - Applies pressure against the white reference

Electronic Accessories**Cable**

- C6735-80001 Telephone cable (Spain, Portugal, and Greece)
- Q3500-80001 *New Part for C6735-80001*

Cable (Interface)

- 31 5063-1256 IEEE-1284 Bi-Tronics parallel cable - DB-25 (M) connector (type A) to 36 pin Centronics (M) connector (type B) - 2.0m (6.6ft) long
- 32 5063-1257 IEEE-1284 Bi-Tronics parallel cable - DB-25 (M) connector (type A) to 36 pin Centronics (M) connector (type B) - 3.0m (9.8ft) long
- 33 C2950A IEEE-1284 Bi-Tronics parallel cable - DB-25 (M) connector (type A) to 36 pin Centronics (M) connector (type B) - 2.0m (6.6ft) long
- 5063-1256 *New Part for C2950A*
- 34 C2951A IEEE-1284 Bi-Tronics parallel cable - DB-25 (M) connector (type A) to 36 pin Centronics (M) connector (type B) - 3.0m (9.8ft) long
- 35 C2990A IEEE-1284 Bi-Tronics parallel cable - DB-25 (M) (type A) to 36 pin (M) Centronics (type B) - 1.8m (6ft) long
NO LONGER SUPPLIED
- 36 C2991A IEEE-1284 Bi-Tronics parallel cable - DB-25 (M) (type A) to 36 pin (M) Centronics (type B) - 3.0m (10ft) long
NO LONGER SUPPLIED
- 37 C3801-80073 Centronics parallel interface cable - 25 pin (M) with thumbscrews to 36 pin Centronics (M) - 2m (6.6ft) long
- C6680-80003 *New Part for C3801-80073*

Electronics/Power Supply**Cable**

- C4557-80075 Carriage assembly flex cable - 40.3cm (15.9 inches) long
- 39 C5374-60027 Scanner assembly ground cable
NO LONGER SUPPLIED
- 40 C5374-80001 Cable assembly - Has a 7 pin (F) connector, a 5 pin (F) connector, and a 3 pin (F) connector - Overall length is 48.3cm (19 inches)
NO LONGER SUPPLIED
- 41 C5374-80004 Cable assembly - Has 15 pin (F) connectors - 75.7cm (29.8 inches) long
NO LONGER SUPPLIED
- 42 C5374-80005 Ribbon cable - Has 15 pin (M) edge connectors - 41.3cm (16.3 inches) long
NO LONGER SUPPLIED

**Electronics/Power Supply****Cable**

43	C5374-80014	Ribbon cable - Has 26 pin (M) edge connectors - 33.7cm (13.3 inches) long NO LONGER SUPPLIED
44	C5374-80021	Ribbon cable - Has 22 pin (M) edge connector - 46.0cm (18.1 inches) long NO LONGER SUPPLIED
45	C5374-80030	Cable assembly - 16 pin (F) connector to 23.5cm (9.3 inch) cable with 3 pin (F) connector, 34.3cm (13.5 inch) cable with 3 pin (F) connector, 36.2cm (14.3 inch) cable with 7 pin (F) connector, and 78.4cm (30.9 inch) cable with 5 pin (F) connector NO LONGER SUPPLIED

Front Panel

46	C5374-60006	Front panel assembly - Includes front panel PC board, bezel, and cable NO LONGER SUPPLIED
47	C6673-60012	Front panel assembly - Includes front panel PC board, bezel, and cable (for Hong Kong)

LIU Module

48	C5374-60032	Line interface unit (LIU) module (Korea, Taiwan, and Israel) NO LONGER SUPPLIED
49	C5374-60033	Line interface unit (LIU) module (Germany, UK, Netherlands, France, Spain, Italy, Switzerland, Sweden, Greece, Denmark, Austria, Finland, Norway, Portugal, Belgium, and Ireland) NO LONGER SUPPLIED
50	C5374-60034	Line interface unit (LIU) module (Australia and New Zealand) NO LONGER SUPPLIED
51	C5374-60035	Line interface unit (LIU) module (Singapore, Hong Kong, Turkey, Poland, and South Africa) NO LONGER SUPPLIED
52	C6659-60002	Line Interface Unit (LIU) - Plug-in fax/phone line module - Does NOT come with LIU to wall socket cable (USA and Canada)
53	C7312-60004	Line interface unit (LIU) - Plug-in fax/phone line module (Mexico, Brazil, Argentina, Chile, Peru, Venezuela, Columbia, Ecuador, Panama, Guatemala, Costa Rica, Uruguay, Paraguay)

LIU Module Kit

54	C6663-60069	Line interface unit (LIU) - Plug-in fax/phone line module - Includes attached LIU to wall socket cable (for USA)
----	-------------	--

PC Board

55	C5374-69002	Main logic PC board NO LONGER SUPPLIED
56	C6409-60237	Ink cartridge carriage PC board

PC Board (Interface)

57	C5374-60157	LIU interconnect PC board NO LONGER SUPPLIED
----	-------------	---

Power Cord

58	8120-6260	Power cord (Black) - 18 AWG, 1.0m, 120V (3.3ft) long - Has straight (F) receptacle - (For USA, Canada, Taiwan, Latin America, Saudi Arabia)
59	8120-6261	Power cord (Black) - 17 AWG, 1.0m (3.3ft) - Has straight (F) receptacle (For 240V in the UK and Ireland)
60	8120-6262	Power cord (Black) - 18 AWG 3-wire, 1.0m (3.3ft) - Has straight (F) receptacle - 240V Europe (except Denmark, Ireland and Switzerland)
61	8120-8878	Power cord (Black) - 17 AWG, 1.0m (3.3ft) long - Has straight (F) receptacle (For 220V in Argentina)
62	8120-8879	Power cord (Black) - 17 AWG, 1.0m (3.3ft) long - Has straight (F) receptacle (For 240V in Australia)
63	8120-8880	Power cord (Black) - 17 AWG, 1.0m (3.3ft) long - Has straight (F) receptacle (For 220V in Chile)
64	8120-8881	Power cord (Black) - 17 AWG 3-wire, 1.0m (3.3ft) long - Has straight (F) receptacle (For 220V in Denmark)
65	8120-8882	Power cord (Black) - 17 AWG 3-wire, 1.0m (3.3ft) long - Has straight (F) receptacle (For 240V in the UK, Hong Kong, Singapore, and Ireland)
66	8120-8883	Power cord (Black) - 17 AWG, 1.0m (3.3ft) long - Has straight (F) receptacle (For 220V in Israel)
67	8120-8884	Power cord (Black) - 17 AWG, 1.0m (3.3ft) long - Has straight (F) receptacle (For 220V in Korea)

**Electronics/Power Supply****Power Cord**

68	8120-8885	Power cord (Black) - 17 AWG 3-wire, 1.0m (3.3ft) long - Has straight (F) receptacle (For 220V in Switzerland)
69	8120-8886	Power cord (Black) - 17 AWG 3-wire, 1.0m (3.3ft) long - Has straight (F) receptacle (For 240V in South Africa, Israel, and India)
70	8121-0564	Power cord (Black) - 2.0m (6.6ft) long - Has straight (F) receptacle (For 240V in India)

Power Module

71	0950-2880	Power supply module (Delta ADP-45TB) - 100-240VAC input, 50/60Hz, 1.0A max, 82-111VA, requires separate AC power cord - 18VDC output, 2.23A, 45 watts
	0950-3807	Power supply module (Delta ADP-40RB) - 100-240VAC input, 50/60Hz, 1.0A, 76VA, requires separate AC power cord - 18VDC output, 2.23A, 40 watts

Speaker

73	C5374-60014	Speaker assembly - Includes speaker cable
----	-------------	---

External Case Parts**Base**

74	C5374-60024	Base assembly - Includes rubber feet
----	-------------	--------------------------------------

Bezel

75	C5374-40074	Display bezel - Covers LCD display
76	C6673-60001	Bezel - Installed over front panel assembly - English (for USA, Canada, Hong Kong) NO LONGER SUPPLIED
77	C6673-60002	Bezel - Installed over front panel assembly - French
78	C6673-60003	Bezel - Installed over front panel assembly - German
79	C6673-60004	Bezel - Installed over front panel assembly - Italian NO LONGER SUPPLIED
80	C6673-60005	Bezel - Installed over front panel assembly - Dutch
81	C6673-60006	Bezel - Installed over front panel assembly - Spanish NO LONGER SUPPLIED
82	C6673-60007	Bezel - Installed over front panel assembly - Portuguese
83	C6673-60008	Bezel - Installed over front panel assembly - Korean
84	C6673-60009	Bezel - Installed over front panel assembly - Traditional Chinese
85	C6673-60010	Bezel - Installed over front panel assembly - English (for UK, Denmark, Finland, Greece, Ireland, Israel, Norway, Poland, South Africa, Sweden, Turkey, Australia, Singapore, New Zealand)

Case

86	C5374-40005	Right case NO LONGER SUPPLIED
87	C5374-40006	Left case NO LONGER SUPPLIED
88	C5374-60025	Rear case assembly - Includes rear case, LIU interconnect PC board, LIU cable, LIU clip NO LONGER SUPPLIED
89	C5374-60028	Top case - Encloses print mechanism, ADF mechanisms, and scanner assembly NO LONGER SUPPLIED

Cover

90	C5374-40058	I/O port cover - Has cutout for centronics connector NO LONGER SUPPLIED
----	-------------	--

Door

91	C5374-60008	Cartridge access door - Includes ADF input document guides
92	C6680-60065	Rear paper jam cleanout door assembly

**External Case Parts****Foot**

93 C2128-40063 Rubber foot

Nameplate/Logo

94 C6673-00001 Nameplate - C6673A OfficeJet T65

Overlay

C6673-00003 Speed dial overlay - Inserted into bezel over programmed speed dial buttons
NO LONGER SUPPLIED

Tray Kit

96 C6669-60011 ADF tray kit - Plastic ADF input tray extender and wire loop used to hold documents ejected from the ADF
NO LONGER SUPPLIED

LIU to Wall Socket Cable**Cable**

- 97 C2890-80018 Telephone cable (five conductor) - RJ-11 (M) to GIGOGNE (M/F) - 3m (9.8ft) long (France)
8120-8923 *New Part for C2890-80018*
- 98 C2890-80020 Telephone cable (four conductor) - RJ-11 (M) to telephone plug/socket connector - 3m (9.8ft) long (Netherlands)
8120-8915 *New Part for C2890-80020*
- 99 C2890-80023 Telephone cable (five conductor) - RJ-11 (M) to BS-601A (M/F) - 3m (9.8ft) long (for the U.K., New Zealand, and Hong Kong)
8120-8921 *New Part for C2890-80023*
- 100 C3803-80001 Telephone cable (four conductor) - RJ-11 (M) to TAE-N (M) - 3m (9.8ft) long (Germany)
- 101 C5319-80004 Telephone cable (Sweden)
8120-8918 *New Part for C5319-80004*
- C5319-80005 Telephone cable (Ireland and Singapore)
8121-0811 *New Part for C5319-80005*
- 103 C5319-80006 Telephone cable to wall socket (South Africa)
- 104 C5319-80011 Telephone cable - One 3 pin (M) connector to RJ-11 (F) connector adapter and one 3.0m (9.8ft) long cable with RJ-11 (M) connectors on each end (Australia)
NO LONGER SUPPLIED
- 105 C5319-80012 Telephone cable - One 4 pin (M) connector to RJ-11 (F) connector adapter and one 3.0m (9.8ft) long cable with RJ-11 (M) connectors on each end (Korea)
- 106 C5319-80014 Telephone cable (Israel)
8120-8913 *New Part for C5319-80014*
- 107 C6663-80001 Telephone cable (Belgium)
8120-8910 *New Part for C6663-80001*
- 108 C6663-80002 Telephone cable (Austria) - LIU to Wall Socket Cable - (for Austria)
8120-8909 *New Part for C6663-80002*
- 109 C6663-80005 Telephone cable (Italy)
8120-8914 *New Part for C6663-80005*
- 110 C6663-80007 Telephone cable (Denmark)
8120-8911 *New Part for C6663-80007*
- 111 C6663-80008 Telephone cable (Finland, Norway)
8120-8916 *New Part for C6663-80008*
- C6663-80009 LIU to wall socket cable (Switzerland)

Cable (Interface)

113 8121-0811 Telephone cable (2 Conductor) - RJ11 (M) to RJ11 (M) 3m (10ft) long (USA, Canada, Mexico, Latin America, Greece, Poland, Saudi Arabia, Portugal and Spain) - (USA, Canada, Mexico, Latin America, Greece, Poland, Saudi Arabia, Portugal and Spain)

**Other Accessories****CD-ROM (Support)**

C5374-60065 OfficeJet T series service manual on a CD-ROM
NO LONGER SUPPLIED

Cartridge

114	51645A	Black print cartridge (High capacity) - Prints approximately 840 pages based on 5% density on a 8 inch by 10 inch print area (for USA)
115	51645AA	Black print cartridge (High capacity) - Prints approximately 840 pages based on 5% density on a 8 inch by 10 inch print area (for Asia/Pacific)
116	51645AC	Black print cartridge (high capacity) - Prints approximately 840 pages based on 5% density on a 8 inch by 10 inch print area (for Canada)
117	51645AE	Black print cartridge (high capacity) - Prints approximately 840 pages based on 5% density on a 8 inch by 10 inch print area (for Europe)
118	51645AL	Black print cartridge (high capacity) - Prints approximately 840 pages based on 5% density on a 8 inch by 10 inch print area (for Latin America)
119	51645G	Black print cartridge (economy) - Prints approximately 415 pages based on 5% density on a 8 inch by 10 inch print area (for USA)
120	51645GA	Black print cartridge (economy) - Prints approximately 415 pages based on 5% density on a 8 inch by 10 inch print area (for Asia/Pacific)
121	51645GC	Black print cartridge (economy) - Prints approximately 415 pages based on 5% density on a 8 inch by 10 inch print area (for Canada)
122	51645GE	Black print cartridge (economy) - Prints approximately 415 pages based on 5% density on a 8 inch by 10 inch print area (for Europe)
123	51645GL	Black print cartridge (economy) - Prints approximately 415 pages based on 5% density on a 8 inch by 10 inch print area (for Latin America)
124	C1823A	Tri-color ink print cartridge - Prints approximately 475 pages based on 13.5% total density (4.5% for each colors) on a 8 inch by 10 inch print area (for USA)
	<i>C1823D</i>	<i>New Part for C1823A</i>
125	C1823AA	Tri-color ink print cartridge - Prints approximately 475 pages based on 13.5% total density (4.5% for each colors) on a 8 inch by 10 inch print area (for Asia/Pacific)
126	C1823AC	Tri-color ink print cartridge - Prints approximately 475 pages based on 13.5% total density (4.5% for each colors) on a 8 inch by 10 inch print area (for Canada)
127	C1823AE	Tri-color ink print cartridge - Prints approximately 475 pages based on 13.5% total density (4.5% for each colors) on a 8 inch by 10 inch print area (for Europe)
128	C1823AL	Tri-color ink print cartridge - Prints approximately 475 pages based on 13.5% total density (4.5% for each colors) on a 8 inch by 10 inch print area (for Latin America)
129	C1823D	Tri-color ink print cartridge - Prints approximately 360 pages based on 13.5% total density (4.5% for each color) on a 8 inch by 10 inch print area (for USA)
130	C1823DA	Tri-color ink print cartridge - Prints approximately 360 pages based on 13.5% total density (4.5% for each color) on a 8 inch by 10 inch print area (for Asia/Pacific)
131	C1823DC	Tri-color ink print cartridge - Prints approximately 360 pages based on 13.5% total density (4.5% for each color) on a 8 inch by 10 inch print area (for Canada)
132	C1823DE	Tri-color ink print cartridge - Prints approximately 360 pages based on 13.5% total density (4.5% for each color) on a 8 inch by 10 inch print area (for Europe)
133	C1823DL	Tri-color ink print cartridge - Prints approximately 360 pages based on 13.5% total density (4.5% for each color) on a 8 inch by 10 inch print area (for Latin America)
134	C1823G	Tri-color ink economy print cartridge - Prints approximately 180 pages based on 13.5% total density (4.5% for each color) on a 8 inch by 10 inch print area (for USA)
135	C1823GA	Tri-color ink economy print cartridge - Prints approximately 180 pages based on 13.5% total density (4.5% for each color) on a 8 inch by 10 inch print area (for Asia/Pacific)
136	C1823GE	Tri-color ink economy print cartridge - Prints approximately 180 pages based on 13.5% total density (4.5% for each color) on a 8 inch by 10 inch print area (for Europe)
137	C1823GL	Tri-color ink economy print cartridge - Prints approximately 180 pages based on 13.5% total density (4.5% for each color) on a 8 inch by 10 inch print area (for Latin America)

**Other Accessories****Cartridge**

138	C1823T	Tri-color ink cartridges (2 pack of C1823D) - Each prints approximately 360 pages on 13.5% total density (4.5% for each color) on a 8 inch by 10 inch print area (for USA)
139	C1823TA	Tri-color ink cartridges (2 pack of C1823D) - Each prints approximately 360 pages on 13.5% total density (4.5% for each color) on a 8 inch by 10 inch print area (for Asia/Pacific)
140	C1823TE	Tri-color ink cartridges (2 pack of C1823D) - Each prints approximately 360 pages on 13.5% total density (4.5% for each color) on a 8 inch by 10 inch print area (for Europe)
141	C1823TL	Tri-color ink cartridges (2 pack of C1823D) - Each prints approximately 360 pages on 13.5% total density (4.5% for each color) on a 8 inch by 10 inch print area (for Latin America)
142	C6613AN	Black print cartridges (High capacity) - (2 pack of 51645A) each prints approximately 840 pages based on 5% density on a 8 inch (20.3cm) by 10 inch (25.4cm) print area (for USA) NO LONGER SUPPLIED
143	C6618AN	Tri-color ink cartridges (2 pack of C1823D) - Each prints approximately 360 pages on 13.5% total density (4.5% for each color) on a 8 inch (20.3cm) by 10 inch (25.4cm) print area (for USA) NO LONGER SUPPLIED

Return Kit

5183-5268	Return kit with box and instructions - For returning defective Thermal InkJet (TIJ) 2.5 InkJet cartridges covered under the CREW program - For USA
5184-2833	Return kit with box and instructions - For returning defective Thermal InkJet (TIJ) 2.5 InkJet cartridges covered under the CREW program - For use outside of the USA

Sleeve

C5316-80011	Document carrier sleeve - 2 full size and 2 half size sleeves - Sleeve sealed on three sides
C5374-80031	Document carrier sleeve - Full size, sealed on one side

Other Internal Parts**Brace**

149	C4557-40128	Left backBone brace - Provides support for backBone
150	C4557-40130	Left wall brace - Provides support for left wall

Clip

151	C5374-00033	LIU clip
-----	-------------	----------

Extender

152	C5374-00022	Base extender - Metal item used to connect logic PC board ground plane to print mechanism chassis
-----	-------------	---

Ferrite Assembly

153	9170-1655	Ferrite core
-----	-----------	--------------

Flag

154	C5374-40068	Pen door flag - Attached to sensor PC board - Used to detect an open cartridge access door
-----	-------------	--

Frame

155	C5870-40039	Wing frame - Chassis for in/out tray components
-----	-------------	---

Ground Strap

156	C5374-00052	Ground strap - Connects the logic PC board ground plane to the ADF mechanism
-----	-------------	--

Paper Tray Parts**Cam**

222	C4557-40034	Drawer cam - Short, spring loaded lever attached to the base of the wing frame - Used to draw input tray into position
-----	-------------	--

Guide

223	C5870-40037	Length adjuster - Media input length adjuster NO LONGER SUPPLIED
224	C6410-60006	Width adjust assembly (Purple) - Holds media against right wall of input tray - Includes left wall pusher, both springs, width adjust, and width adjust channel

**Paper Tray Parts****Panel**

- 225 C5374-40047 Paper tray right outer panel (Right tray cap)
C5374-60002 *New Part for C5374-40047*
- 226 C5374-40048 Paper tray left outer panel (Left tray cap)

Spring

- 227 C4557-00031 Paper length adjuster spring - Provides tension for paper input length adjuster
C6455-00011 *New Part for C4557-00031*
- 228 C4557-20020 Envelope spring - Holds envelopes in position for picking
- 229 C6409-00017 Wing torsion spring - Provides pressure on the wing during paper output
NO LONGER SUPPLIED

Stop

- 230 C6410-60037 Fine paper length adjuster (Purple) - Holds paper firmly against the back of the paper input tray

Tray

- 231 C5870-40028 Paper input tray base - Does not include the pressure plate assembly

Tray Assembly

- 232 C5870-60081 Paper input tray assembly (partial) - Includes only base of tray and pressure plate assembly

Wing

- 233 C4557-40024 Left wing - Holds printed paper after being ejected
- 234 C4557-40025 Right wing - Holds printed paper after being ejected

Paper and Other Media**Film (Glossy)**

- Q1973A Premium High-gloss Film - A size (8.5 x 11-inches) - 20 sheets

Film (Transparency)

- C3832A Premium InkJet transparency film - A4 size (21.0cm x 29.7cm) - 20 sheets per package
- C3835A Premium InkJet transparency film - A4 size (21.0cm x 29.7cm) - 50 sheets per package
- C6053A Premium InkJet rapid-dry transparencies - A4 size (21.0cm x 29.7cm) - 50 sheets per package
NO LONGER SUPPLIED
- C3828A Premium InkJet transparency film - A size (8.5 x 11-inches) - 20 sheets per package
- C3834A Premium InkJet transparency film - A size (8.5 x 11-inches) - 50 sheets per package
- C6051A Premium InkJet rapid-dry transparencies - A size (8.5 x 11-inches) - 50 sheets per package
NO LONGER SUPPLIED

Greeting Card Kit

- C6587AN Printable Expressions all occasions card kit - Includes 20 greeting cards and envelopes, and a CD-ROM with 24 original pieces of art
NO LONGER SUPPLIED

Iron-On Transfers

- C6050A Iron-on T-shirt transfers - A4 size (21.0cm x 29.7cm) - 10 sheets per package
- C6049A Iron-on T-shirt transfers - A size (8.5 x 11-inches) - 10 sheets per package

Paper

- C6042A Greeting card paper pack (White) - A4 size (21.0cm x 29.7cm) - Includes 20 sheets and 20 envelopes
- C6828A Greeting card paper pack (White) - A size (8.5 x 11-inches) - Felt textured - Includes 20 sheets and 20 envelopes
- Q1787A Ivory linen half fold Greeting Card - A size (8.5 x 11-inches) - 20 cards
- Q1788A White linen half fold Greeting Card - A size (8.5 x 11-inches) - 20 cards
- C1812A Greeting card paper pack (White) - A size (8.5 x 11-inches) - Includes 20 sheets and 20 envelopes

Paper and Other Media**Paper (Banner)**

C1820A Banner paper - A size (8.5 x 11-inches) - 24 lb - Perforated for easy separation - 100 sheets per pack

Paper (Glossy)

C3833A Premium glossy InkJet paper - A size (8.5 x 11-inches) - 10 sheets per package
C3836A Premium glossy InkJet paper - A size (8.5 x 11-inches) - 50 sheets per package
C6818A Professional glossy InkJet brochure and flyer paper - A4 size (21.0cm x 29.7cm) - Glossy on both sides - 50 sheets per box
C7020A Scored tri-fold glossy brochure paper - B size (11 x 17-inches)
Q1987A Glossy brochure and flyer paper - A size (8.5 x 11-inches) - 150 sheets per package
C6045A Glossy greeting cards - A4 size (21.0cm x 29.7cm) - 10 scored glossy cards and envelopes
C6044A Glossy greeting cards - A size (8.5 x 11-inches) - 10 scored glossy cards and envelopes
C6817A Professional glossy InkJet brochure and flyer paper - Glossy on both sides - A size (8.5 x 11-inches) - 50 sheets per box

Paper (InkJet Photo)

C6983A Photo quality InkJet paper - With two sided semi-gloss finish - A size (8.5 x 11-inches) - 25 sheets per package
C7006A Photo quality InkJet paper - A4 size (21.0cm x 29.7cm) - Has two sided semi-gloss finish - 25 sheets per package
C7007A Photo quality InkJet paper - With two sided matte finish - A size (8.5 x 11-inches) - 100 sheets per package

Paper (InkJet)

51634Z InkJet non-glossy LX paper - A4 size (21.0cm x 29.7cm) - 200 sheets per package
C1825A Bright white InkJet paper - A4 size (21.0cm x 29.7cm) - 500 sheets per package
C1853A Premium InkJet heavyweight paper - A4 size (21.0cm x 29.7cm) - Coated on both sides - 100 sheets per package
C5977A Bright white InkJet paper - A4 size (21.0cm x 29.7cm) - 200 sheets per package
C5977B Bright white InkJet paper - A4 size (21.0cm x 29.7cm) - 250 sheets per package
51634Y InkJet non-glossy LX paper - A size (8.5 x 11-inches) - 200 sheets per package
C1824A Bright white InkJet paper - A size (8.5 x 11-inches) - 500 sheets per package
C5976A Bright white InkJet paper - A size (8.5 x 11-inches) - 200 sheets per package
C5976B Bright white InkJet paper - A size (8.5 x 11-inches) - 250 sheets per package

Paper (Matte)

C7018A Matte greeting cards (White) - Half fold - A size (8.5 x 11-inches)
C6955A Professional and flyer paper (Matte) - A size (8.5 x 11-inches) - 50 sheets

Paper (Photo)

C1847A Photo paper - A4 size (21.0cm x 29.7cm) - 20 sheets per package
C6765A Photo paper - A4 size (21.0cm x 29.7cm) - 20 sheets per package (Asia)
C6831A Premium plus glossy InkJet photographic paper - A size (8.5 x 11-inches) - 20 sheets per package
C6944A Premium plus glossy InkJet photographic paper - 10.2cm (4in) x 15.2cm (6in) - 20 sheets per package
C6945A Premium plus glossy InkJet photographic paper - 10.0cm (3.9in) x 15.0cm (5.9in) - 20 sheets per package
C6950A Premium Plus matte inkjet photographic paper - A size (8.5 x 11-inches) - 20 sheets per package
C6979A Premium glossy photo paper (fast dry time) - A size (8.5 x 11-inches) - 50 sheets per package
C7013A Colorfast photo paper - A size (8.5 x 11-inches) - 20 sheets per package
C7014A Colorfast glossy photo paper - A size (8.5 x 11-inches) - 20 sheets
C7040A Glossy premium photo paper - A4 size (21.0cm x 29.7cm)
C7896A Glossy Photo Paper - A size (8.5 x 11-inches) - 50 sheets per box
C7898A Glossy photo paper - A4 size (21.0cm x 29.7cm) - 20 sheets per box (Japan)
Q1785A Photo Paper - A size (8.5 x 11-inches) - 50 sheets
Q1786A Premium Plus Photo Paper - A4 size (21.0cm x 29.7cm) - 50 sheets
Q1935A Premium Plus Glossy Photo paper with tab - 10.0cm (3.9in) x 15.0cm (5.9in) finished size - 10.0cm (3.9in) x 16.3cm (6.4in) with tab - 20 sheets per package

Paper and Other Media
Paper (Photo)

Q1977A	Premium Plus glossy photo paper with tab - 10.2cm (4in) x 15.2cm (6in) finished size - 10.2cm (4in) x 16.5cm (6.5in) with tab - 20 sheets per package
Q1978A	Premium Plus glossy photo paper with tab - 10.2cm (4in) x 15.2cm (6in) finished size - 10.2cm (4in) x 16.5cm (6.5in) with tab - 60 sheets per package
Q1979A	Premium plus glossy photo paper with tab - 10.0cm (3.9in) x 15.0cm (5.9in) finished size - 10.0cm (3.9in) x 16.3cm (6.4in) with tab attached - 20 sheets
Q1980A	Premium plus glossy photo paper with tab - 10.0cm (3.9in) x 15.0cm (5.9in) finished size - 10.0cm (3.9in) x 16.3cm (6.4in) with tab attached - 60 sheets
C6040A	Premium glossy photo paper - A4 size (21.0cm x 29.7cm) - 15 sheets per package (Europe, Brazil, and Argentina)
C1846A	Photo paper - A size (8.5 x 11-inches) - 20 sheets per package
C6039A	Premium glossy photo paper (Fast dry time) - A size (8.5 x 11-inches) - 15 sheets per package

Paper (Textured)

C6829A	Felt Textured Greeting card paper pack (White) - A4 size (21.0cm x 29.7cm) - Includes 20 sheets and 20 envelopes per box
C7019A	Textured greeting card - White half fold - A size (8.5 inches x 11 inches)

Sleeve

C5316-80011	Document carrier sleeve - 2 full size and 2 half size sleeves - Sleeve sealed on three sides
-------------	--

Stickers

C6822A	Round re-stickable InkJet stickers - HP bright white 6.35cm (2.5in) round stickers with 3M 'Post-it' adhesive - A size (8.5 x 11-inches) - 10 sheets per package with nine stickers per sheet
C6823A	Square re-stickable InkJet stickers - HP bright white 6.35cm (2.5in) square stickers with 3M 'Post-it' adhesive - A size (8.5 x 11-inches) - 10 sheets per package with nine stickers per sheet

Print Mechanism Parts
Adjuster

235	C6409-40021	Carriage rod adjuster - Used to support and align the carriage rod (2 used) - This item should be replaced only by trained, experienced service personnel NO LONGER SUPPLIED
-----	-------------	---

Backbone

236	C6409-00013	BackBone - Large metal item where the main logic PCA and the carriage drive motor are mounted - This item should be replaced only by trained, experienced service personnel
-----	-------------	---

Belt

237	C4557-40049	Carriage drive belt - Moves printhead side to side NO LONGER SUPPLIED
-----	-------------	--

Blade

238	C2145-00037	ESD blade - Installed between cartridge and carriage PCA ESD blade - Installed between cartridge and carriage PCA
-----	-------------	---

Brace

239	C5870-40020	Right backbone brace - Installed on right side of printer base to provide support for backbone
-----	-------------	--

Bracket

240	C5870-00010	Paper motor mounting bracket
-----	-------------	------------------------------

Cable

241	C5374-80030	Cable assembly - 16 pin (F) connector to 23.5cm (9.3 inch) cable with 3 pin (F) connector, 34.3cm (13.5 inch) cable with 3 pin (F) connector, 36.2cm (14.3 inch) cable with 7 pin (F) connector, and 78.4cm (30.9 inch) cable with 5 pin (F) connector NO LONGER SUPPLIED
-----	-------------	--

Cam

242	C6409-40040	Pick cam - Controls pressure plate and lever NO LONGER SUPPLIED
-----	-------------	--

**Print Mechanism Parts****Carriage**

- 243 C6409-40031 Ink cartridge carriage
- 244 C6409-60003 Ink cartridge carriage assembly - This item should be replaced only by trained, experienced service personnel

Clip

- 245 C5870-00002 Service station ESD grounding clip

Door

- 246 C4557-40026 Output door - Separates output media from input media
- 247 C6680-60065 Rear paper jam cleanout door assembly

Encoder

- 248 C4557-80019 Paper motor encoder disk

Flag

- 249 C5870-40024 OOPS flag - Media sensor - Mounts on the top right edge of the upper paper guide
- 250 C6680-40001 A4 flag - Media sensor - Mounts on the top left edge of the upper paper guide

Gear

- 251 C4557-40021 Feed roller idler gear
- 252 C4557-40095 Encoder gear
- 253 C4557-40102 Feed roller cluster gear

Guide

- 254 C4557-40013 Rear paper guide - Guides media through rear of printer
- 255 C4557-40020 Lower guide - Platform for separator peg, spring and pad
- 256 C4557-40121 Paper encoder disk guide
- 257 C6409-40022 Upper paper guide - Guides media through paper path
NO LONGER SUPPLIED
- 258 C6409-40030 Spring guide

Latch

- 259 C4557-40042 Plastic latch (Y-shaped) - Used in conjunction with the knob to hold the rear paper cleanout door assy in place
- 260 C4557-60045 Cartridge latch (Black) - Holds black ink cartridge in place
NO LONGER SUPPLIED
- 261 C4557-60046 Cartridge latch (Color) - Holds color ink cartridge in place

Lever

- 262 C4557-00037 Pressure plate lever - Transfers upward pressure from the separator lifter to the kicker
- 263 C5870-40022 Paper pusher - Small, spring loaded lever attached to pivot - Pushes against left side of paper to maintain right edge alignment

Lifter

- 264 C4557-40063 Separator lifter - Used to lift the separator peg

Link

- 265 C4557-40084 Pivot link
- C6429-60025 *New Part for C4557-40084*

Motor

- 266 C4557-60003 Carriage motor assembly (Includes pulley)
- 267 C6409-60004 Paper advance motor

PC Board

- 271 C5374-60151 Sensor PC board - Includes cover open sensor, paper width sensor, and paper edge sensor
NO LONGER SUPPLIED
- 272 C6409-60200 Paper encoder PCA - Controls operation of paper motor

**Print Mechanism Parts****Panel**

268 C5374-40047 Paper tray right outer panel (Right tray cap)
C5374-60002 *New Part for C5374-40047*

269 C5374-40048 Paper tray left outer panel (Left tray cap)

Paper Stacker

270 C4557-40016 Kicker - Restacks paper in stack after top sheet is picked

Pin

273 C4557-40085 Link pin - Small plastic piece

C6429-60025 *New Part for C4557-40085*

274 C5870-40029 Separator peg

Plate

275 C6409-40028 Belt Attachment Plate - Mounted to back of Ink Cartridge Carriage Assembly - Used to attach the Carriage Drive Belt

Print Mechanism

276 C5374-60002 Print mechanism assembly - Complete mechanism with carriage movement, paper picking and service station operations
NO LONGER SUPPLIED

Retainer

277 C4557-20026 Felt retainer - Holds the lubricating felt to the side of the carriage

Rod

278 C6409-20004 Carriage rod - Shaft that the carriage assembly rides on - This item should be replaced only by trained, experienced service personnel

Roller

279 C4557-20002 Pinch roller - Provides downward pressure on media as it passes by upper paper guide

280 C4557-40015 Rear roller (Black) - Between paper and rear paper guide
NO LONGER SUPPLIED

281 C4557-60025 Pivot feed roller - Shaft with 4 hard rollers - Does not include other items such as gear or encoder

282 C5870-40030 Postscan roller - Shaft with 2 rollers - Mounts on underside of the lower ADF chassis

283 C6409-60037 Pivot feed roller assembly - Shaft with small rollers and paper encoder - This item should be replaced only by trained, experienced service personnel

Separator

284 C4557-60011 Separator pad

Shaft

285 C4557-20027 Cartridge latch shaft near top of carriage - Used to hold cartridge latches in place

Shield

286 C4557-00038 Paper motor ESD shield

Shift Plate

C6455-60057 Shift plate assembly - Five plastic gears held in a two piece plastic frame - Attaches to feedroller assembly

Slide

288 C5870-40036 Integrated slider for carriage assembly

Snap

289 C4557-40150 Pivot snap - Used to hold pivot to pick feed roller shaft

Spring

290 C2145-00033 ESD spring between ESD blade and carriage PCA

291 C4557-00009 Separator spring - Provides pressure between separator assembly and the center drive roller

292 C4557-00011 Drawer spring - Holds input drawer in place

293 C4557-00017 Belt tension spring - Provides tension for carriage belt

**Print Mechanism Parts****Spring**

294	C4557-00018	Encoder spring - Provides tension for encoder strip
295	C4557-00033	Link spring - Provides tension to shaft of pick cam gear
296	C4557-00035	Paper pusher spring - Maintains alignment in paper tray
297	C4557-20003	Rear roller spring - Flexible axle for rear roller
298	C4557-20007	Pinch spring - Provides tension on upper paper guide
299	C4557-20009	Latch spring - Provides friction for rear access door knob
300	C4557-20024	Shifter spring - Provides tension on the pivot
301	C4557-20028	EOR tension spring - Maintains tension on wear strip
302	C5870-20002	Paper stacker (kicker) spring

Strip

303	C4557-80001	Encoder strip - Clear strip with position marks - Used by the sensor in the carriage assembly to determine position
304	C5870-00004	Wear strip - Long, spring loaded strip mounted in top of backbone - Used to ensure smooth ink cartridge carriage motion

Support

305	C6409-00008	Upper paper guide support - Base for upper paper guide NO LONGER SUPPLIED
-----	-------------	--

Turnaround Assembly

306	C4557-60109	Turnaround assembly - Provides carriage belt tension - Does not include spring
-----	-------------	--

Washer

307	C4557-80002	Felt washer - Used to lubricate the carriage rod
-----	-------------	--

Service Station Parts**Absorber**

308	C5870-80007	Spittoon sponge - Absorbs excess ink from cartridges
-----	-------------	--

Bonnet

309	C5870-40016	Service station bonnet - Top cover of the spittoon - Has cutout for pallet/link assembly
-----	-------------	--

Clip

310	C5870-00002	Service station ESD grounding clip
-----	-------------	------------------------------------

Gear

311	C4557-40079	Transfer gear (Double gear)
312	C5870-40017	Cluster gear (Large gear)

Motor

313	C5870-60004	Service station motor assembly - Includes PC board and gear
-----	-------------	---

Pallet

314	C6426-60054	Pallet/link assembly - Installed between spittoon and sled cap assembly - Mounting platform for the wiper and capping systems parts
-----	-------------	---

Shaft

315	C4557-40066	Drive shaft with molded gears on each end - Inside the service station spittoon assembly
-----	-------------	--

Sled

316	C4557-60013	Sled cap assembly - Top cover of the service station assembly - Includes print cartridge caps (gaskets which keep the cartridges from drying out when not printing)
-----	-------------	---

Snap

317	C4557-40069	Cap snap - Installed between pallet/link assembly and sled cap assembly - Used to hold the cap spring
-----	-------------	---

Spittoon

318	C5870-40014	Spittoon base - The bottom of the service station assembly
-----	-------------	--



Service Station Parts

Spring

319 C4557-00026 Cap spring - Provides pressure to cap parked print cartridges

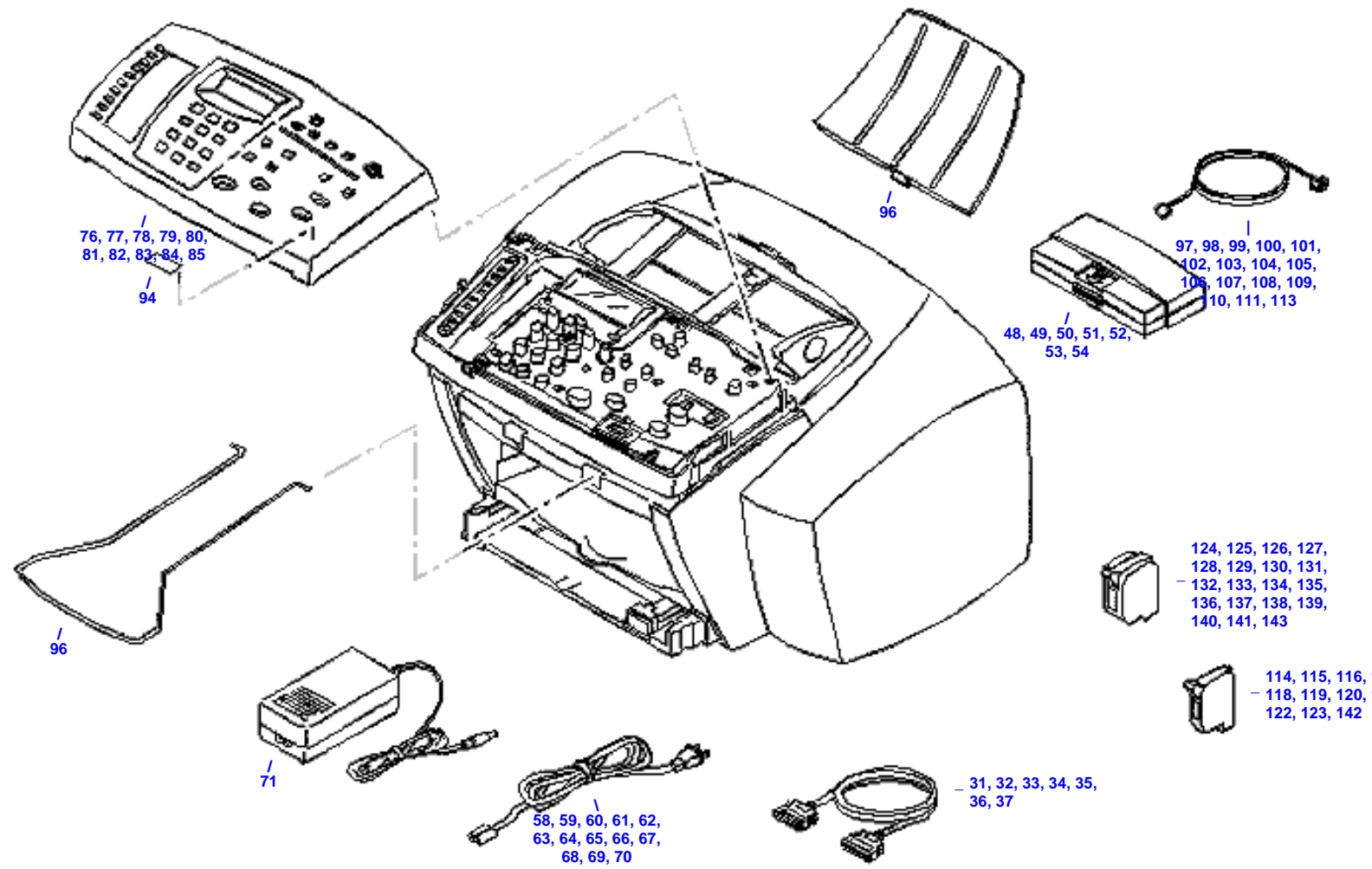
Vent

320 C4557-40068 Cap vent - For equalizing the print cartridge capping pressure

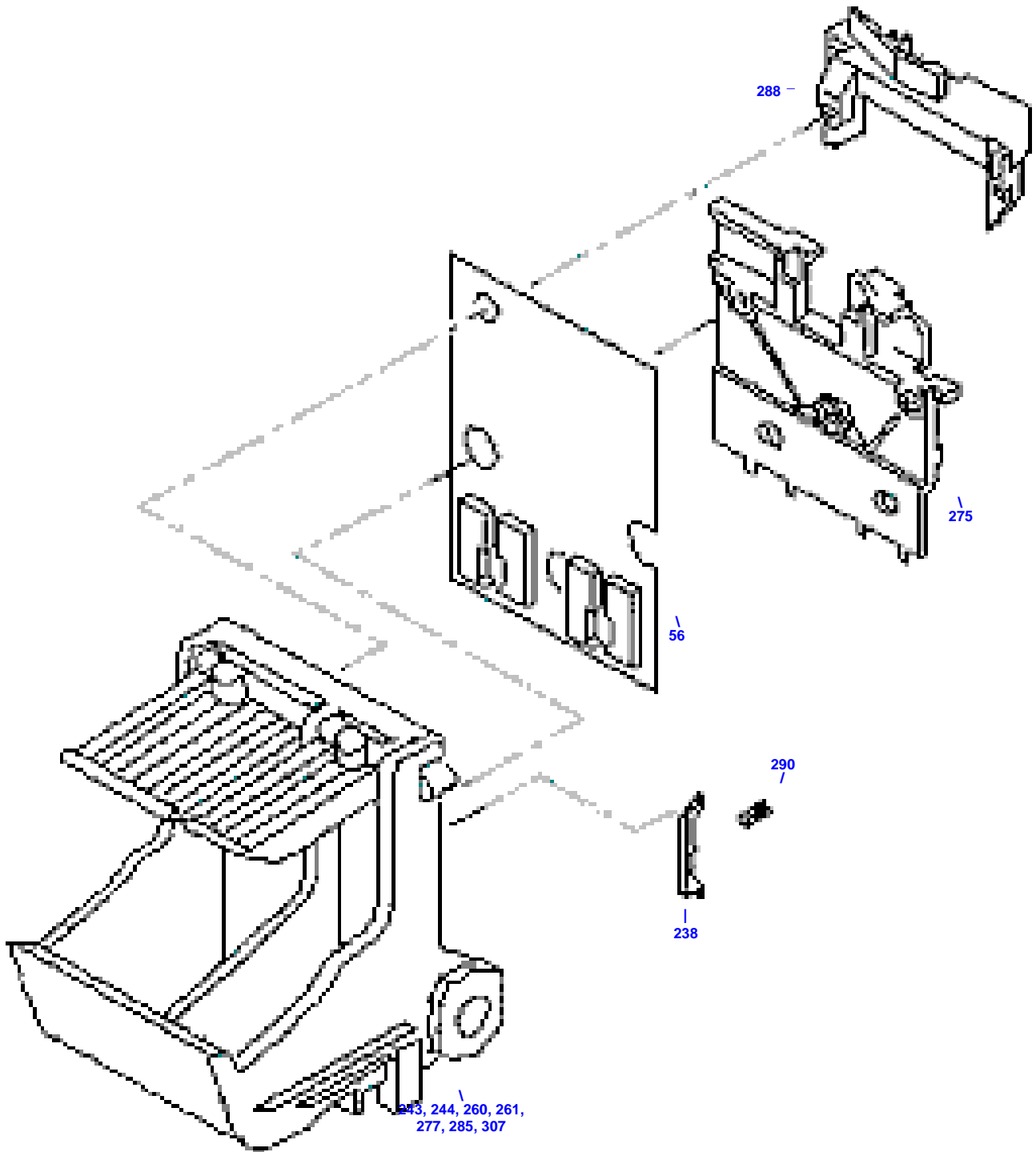
Wiper

321 C4557-60014 Wiper assembly - Metal base with plastic wipers

Main Assembly Locator

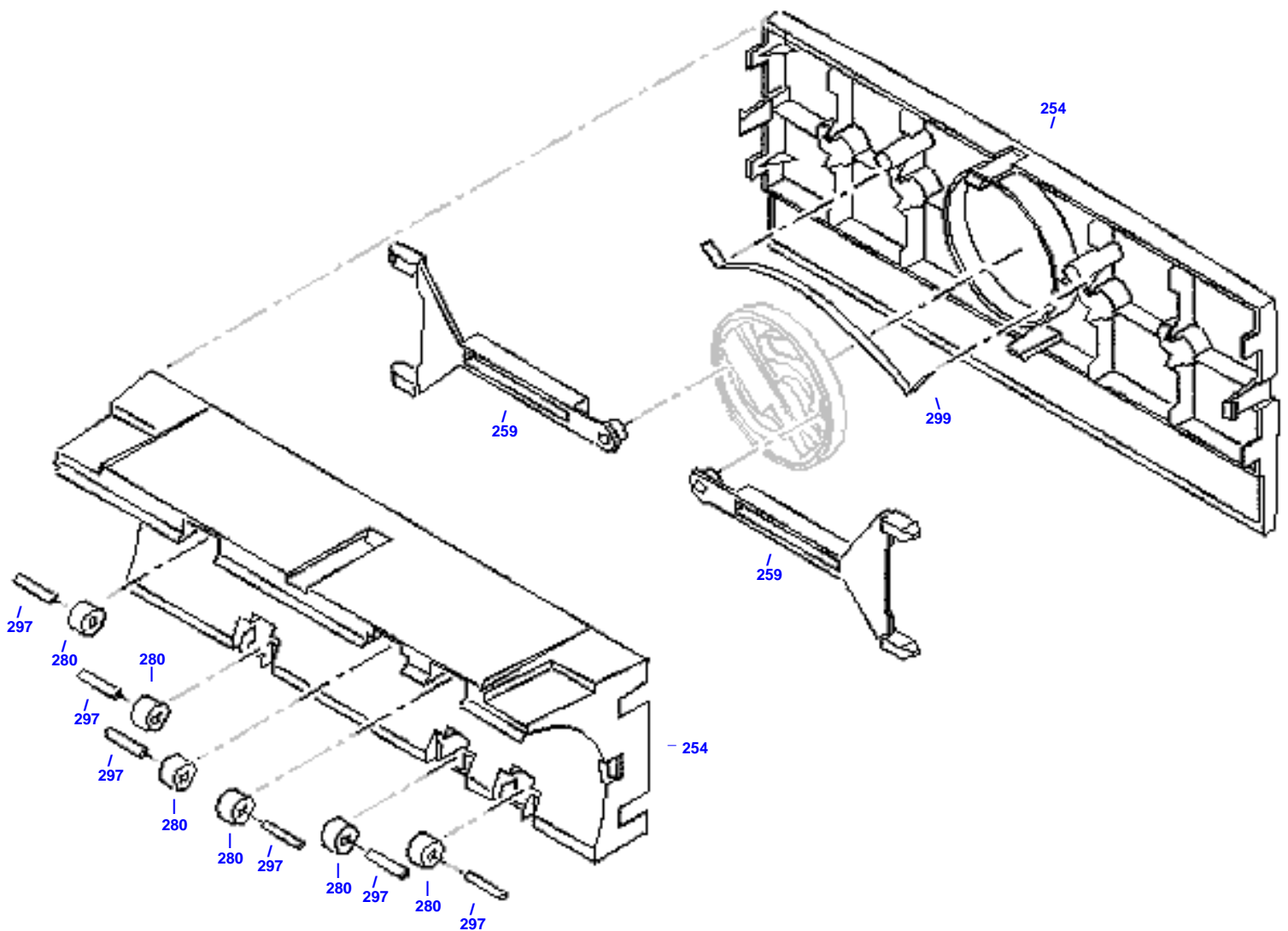


Carriage Assembly



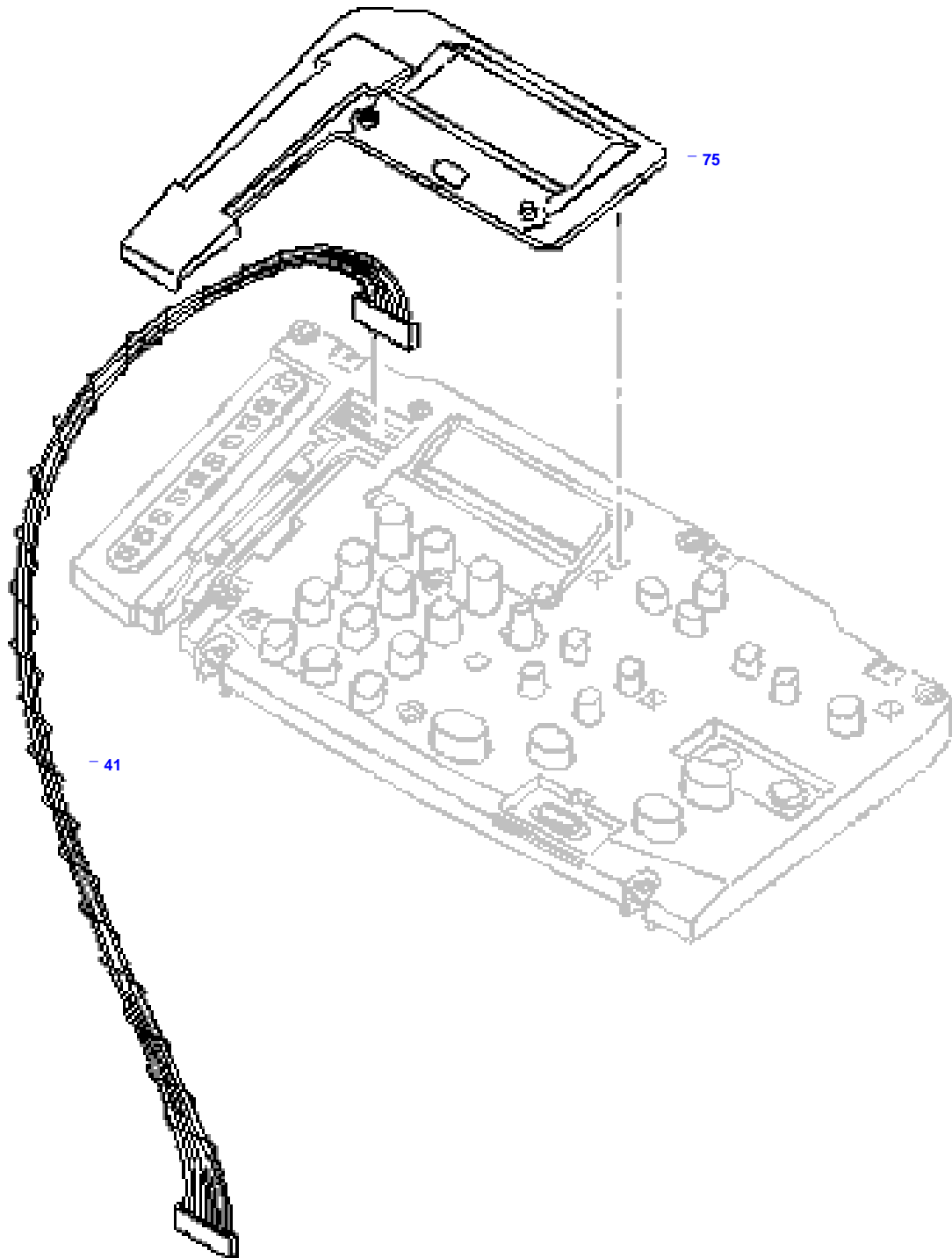
Cleanout Assembly

 Cleanout Assembly - 92, 247

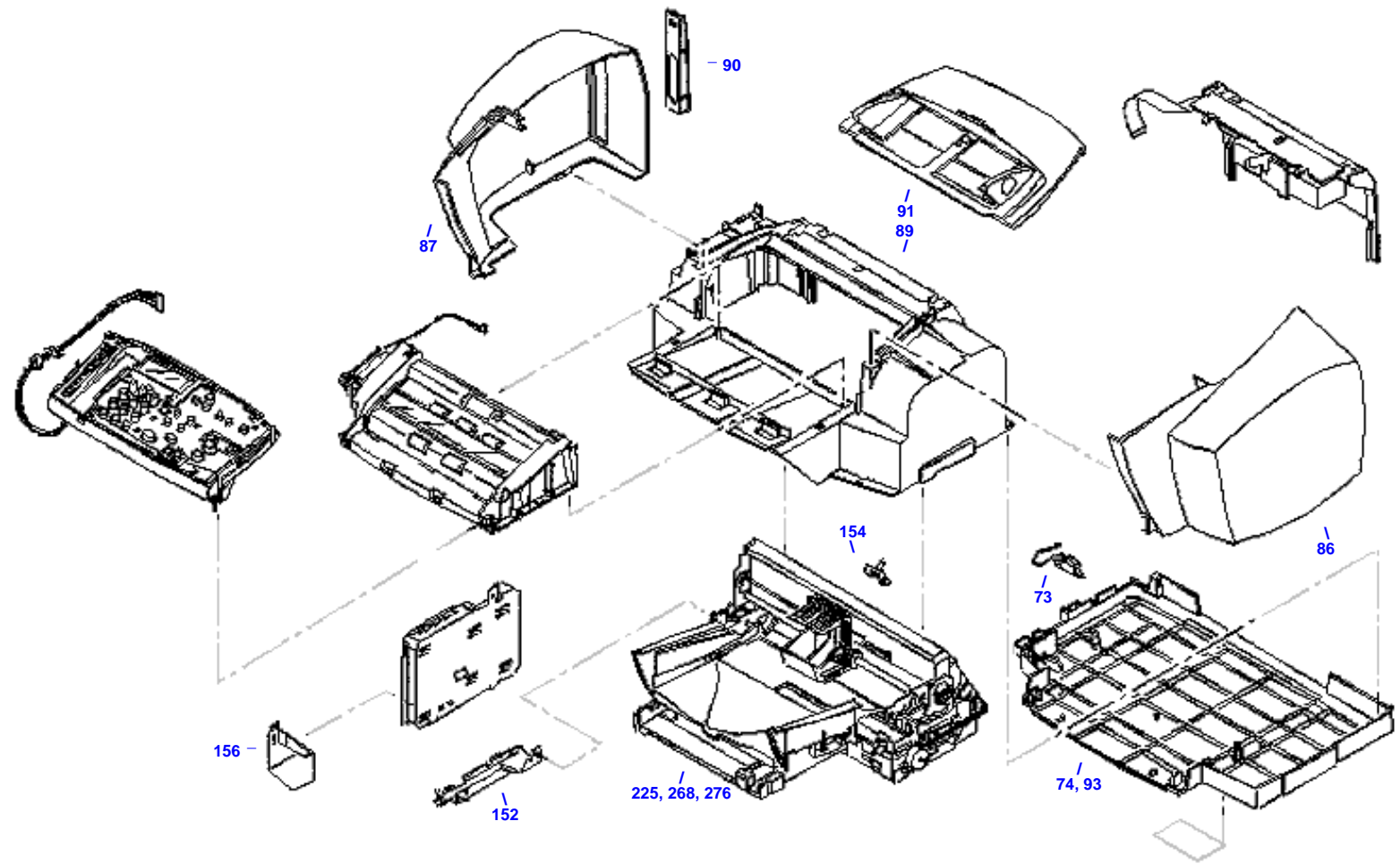


Front Panel Assembly

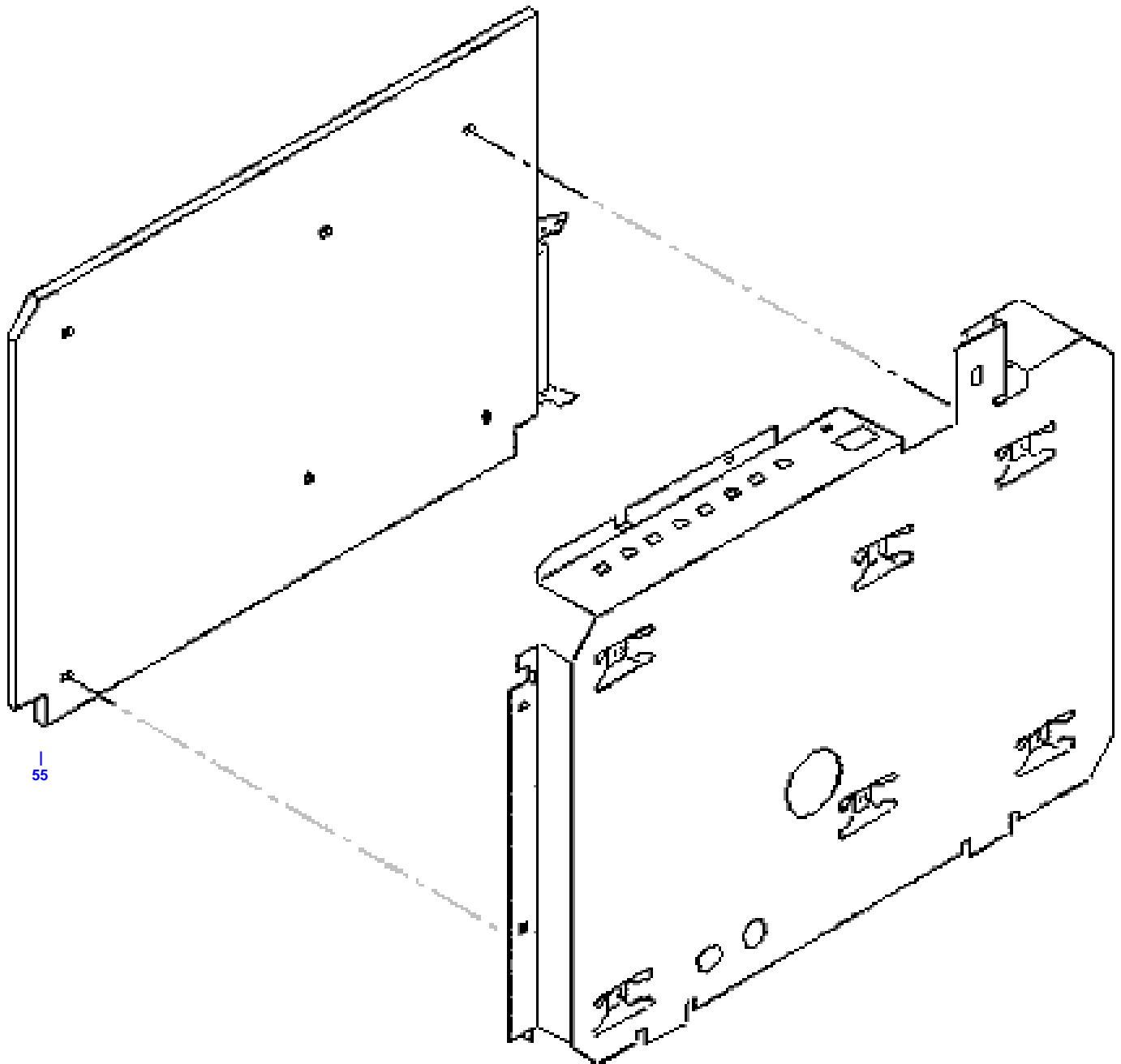
 **Front Panel Assembly** - 9, 10, 46, 47



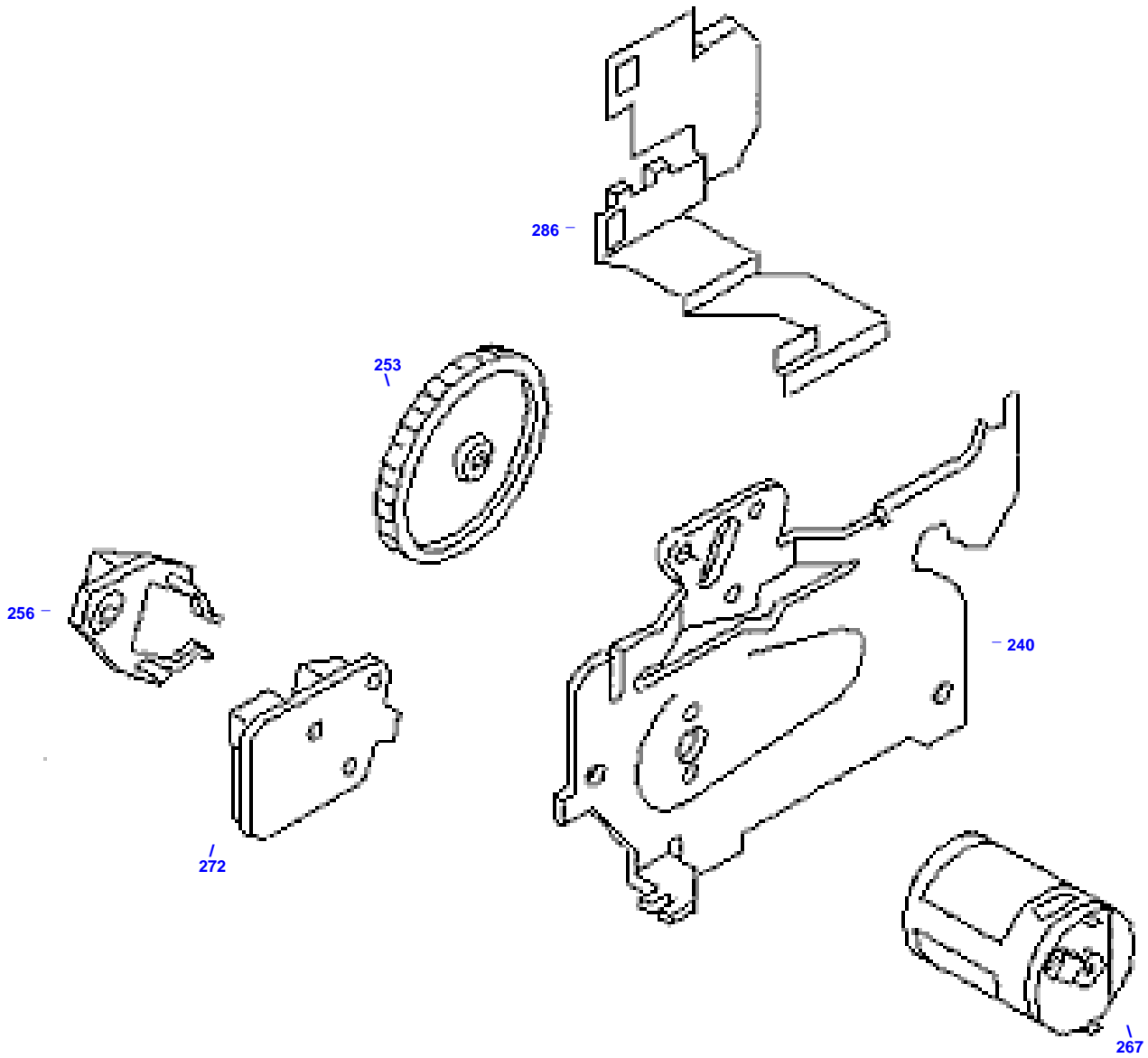
Main Internal Assemblies



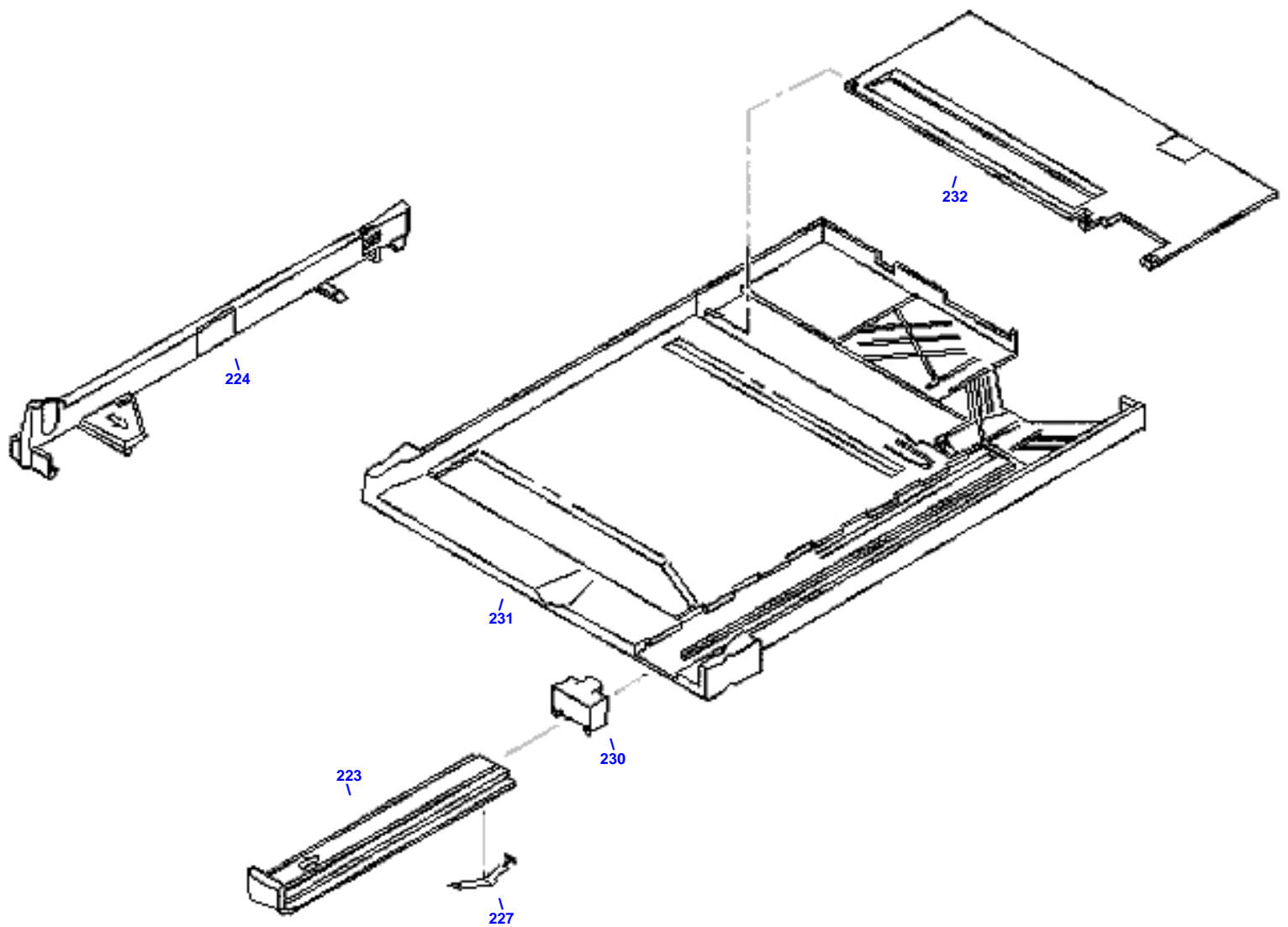
Main Logic PC Board and Ground Plane



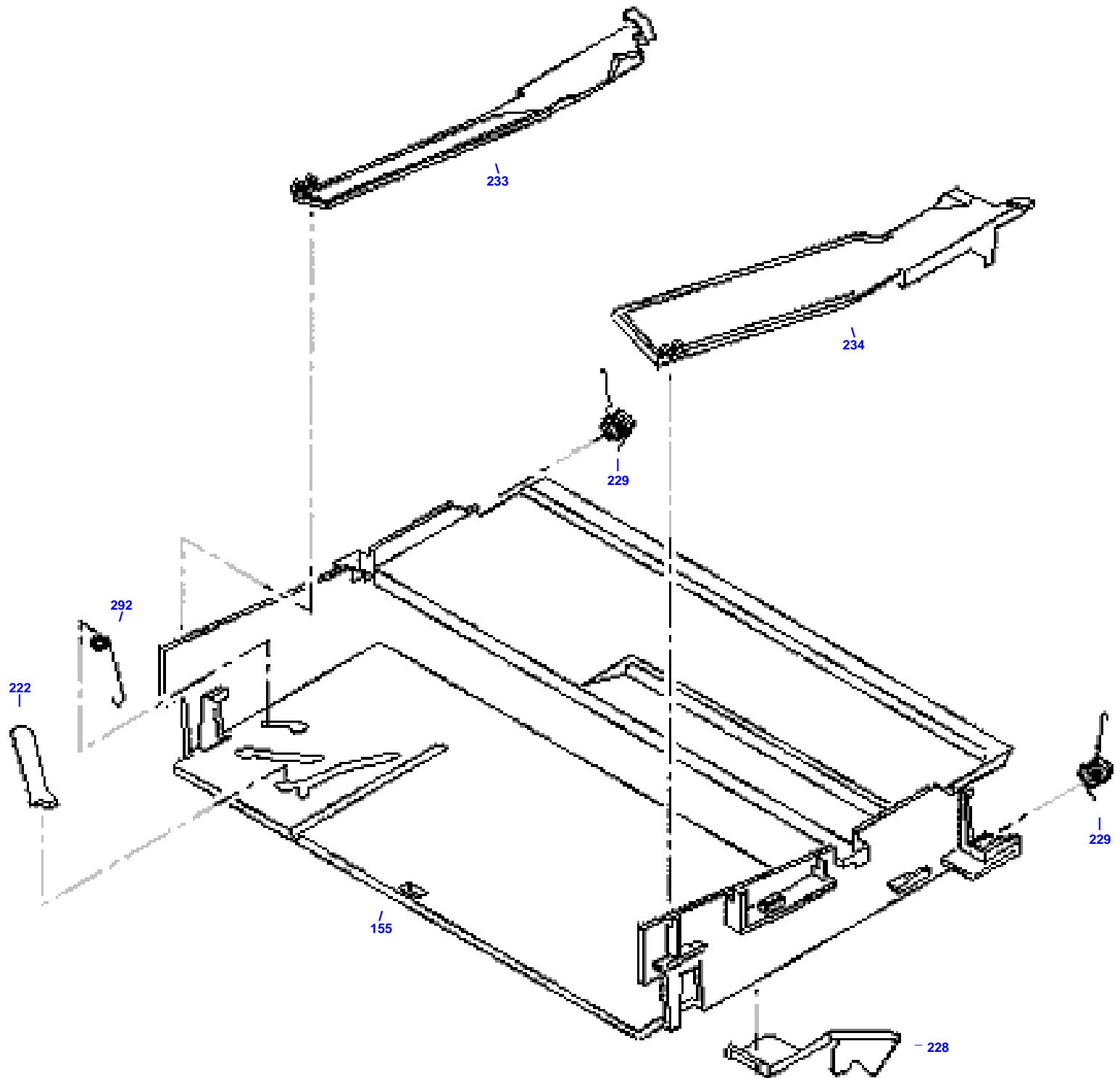
Paper Drive Motor Assembly



Paper Tray Assembly (1 of 2)



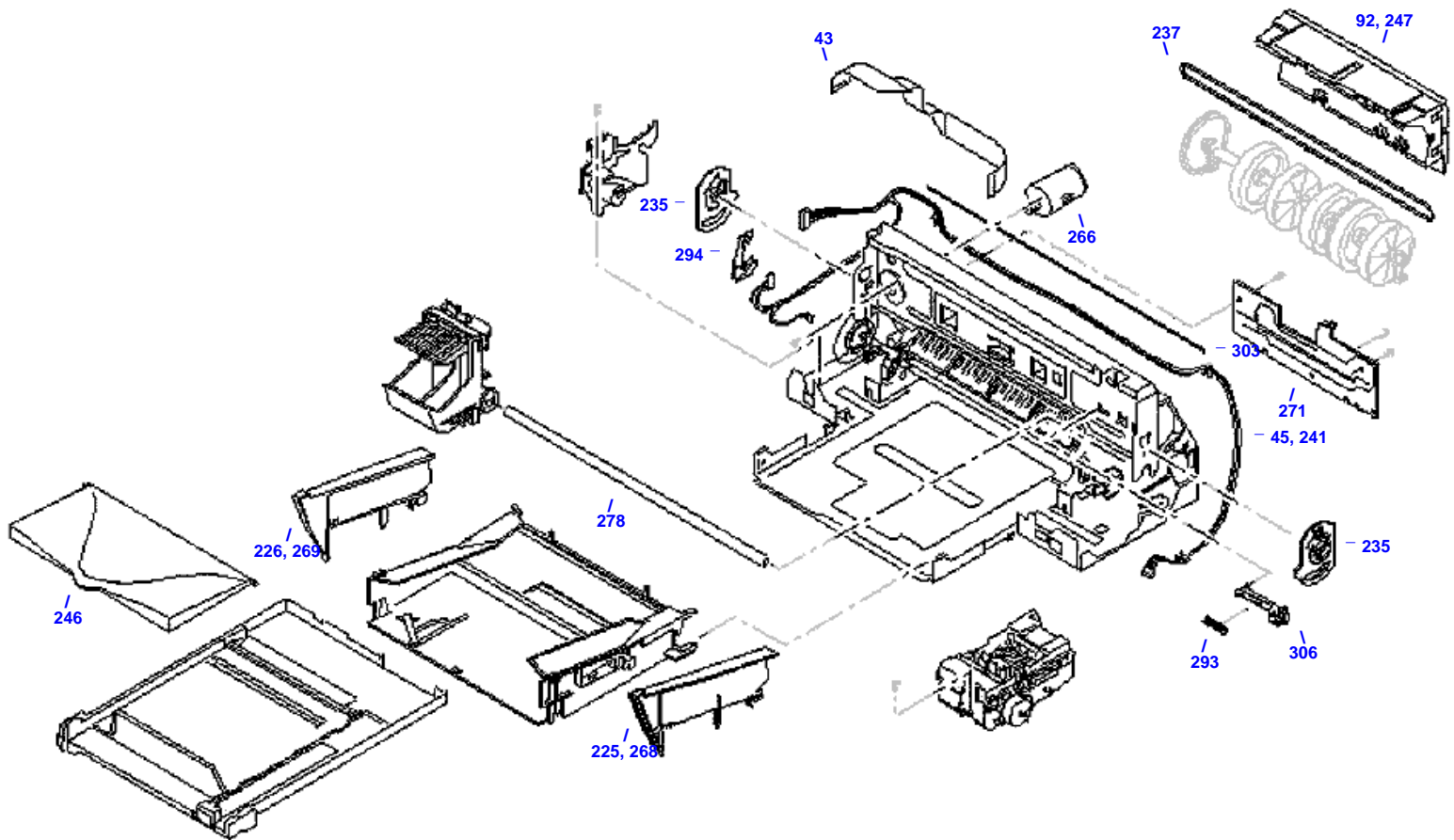
Paper Tray Assembly (2 of 2)



Print Mechanism (1 of 2)

Print Mechanism - 225, 268, 276

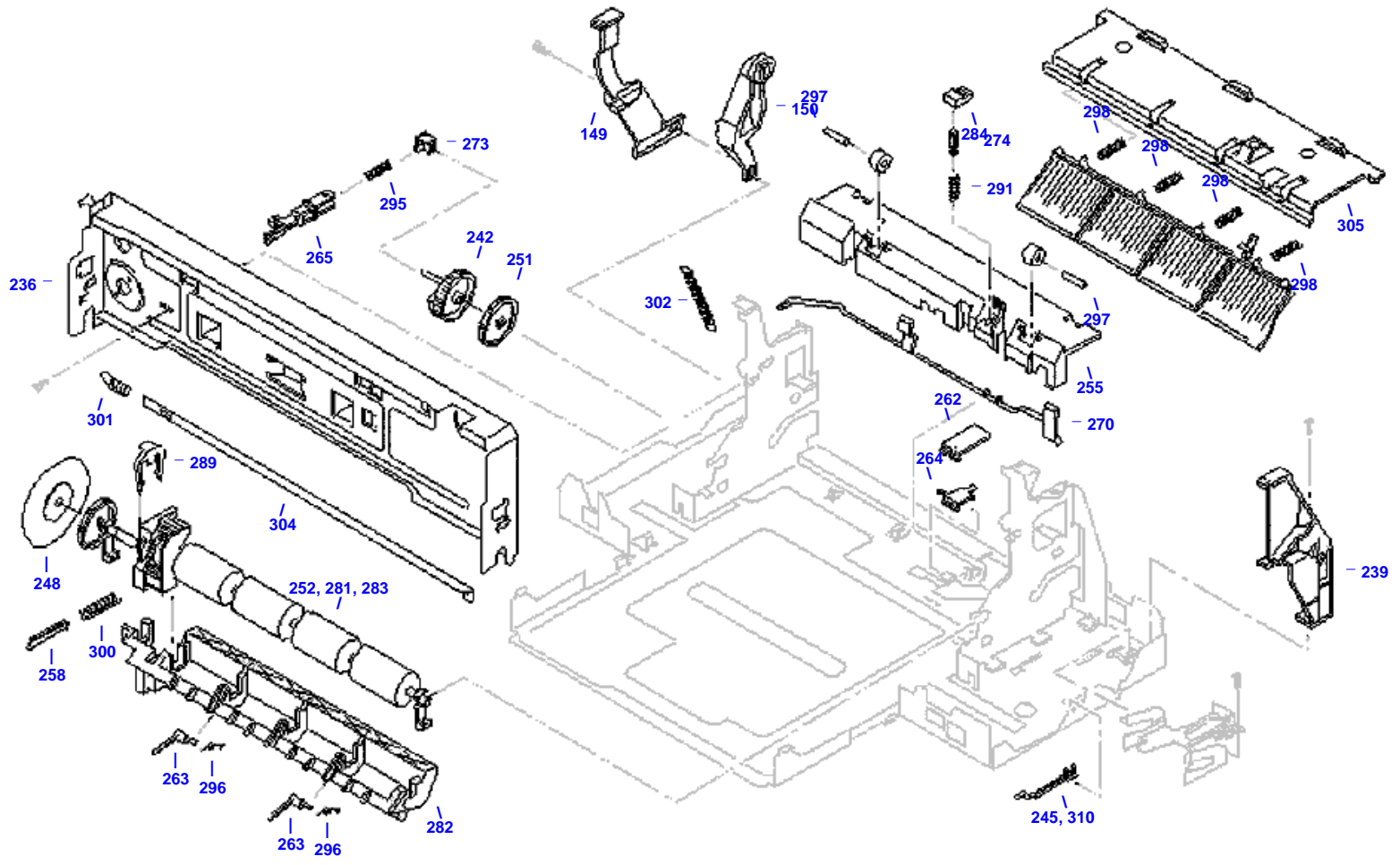
2 of 2 →



Print Mechanism (2 of 2)

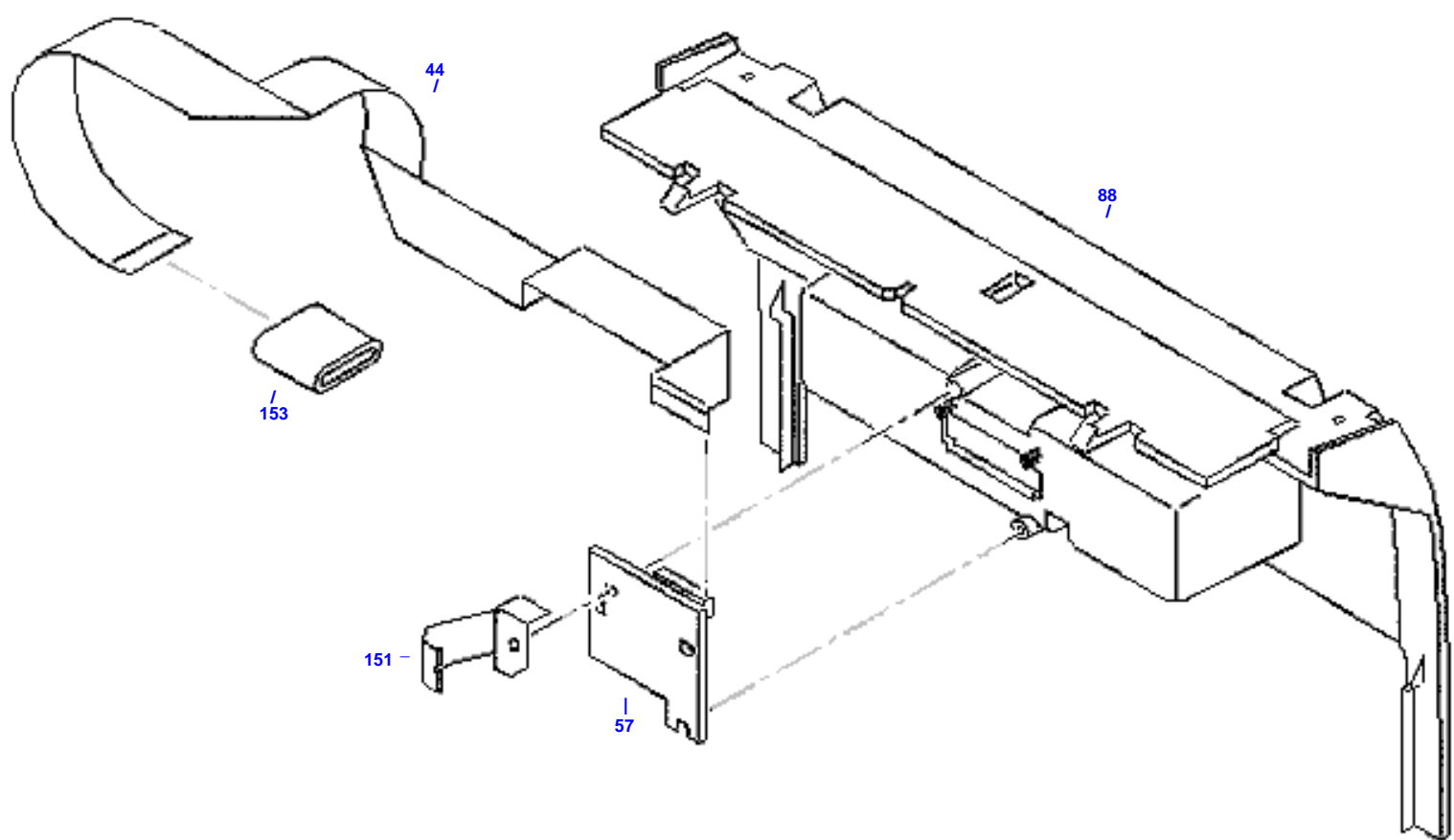
< 1 of 2

Print Mechanism - 225, 268, 276

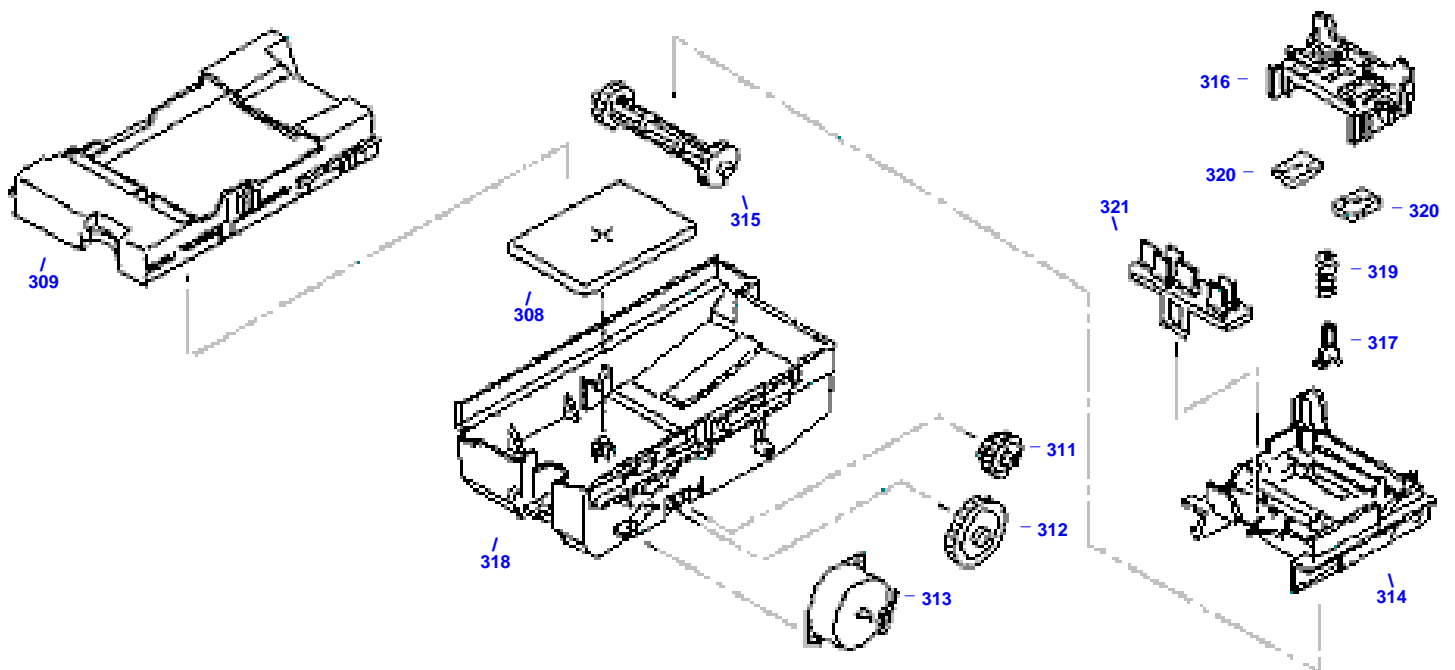


Rear Case Assembly

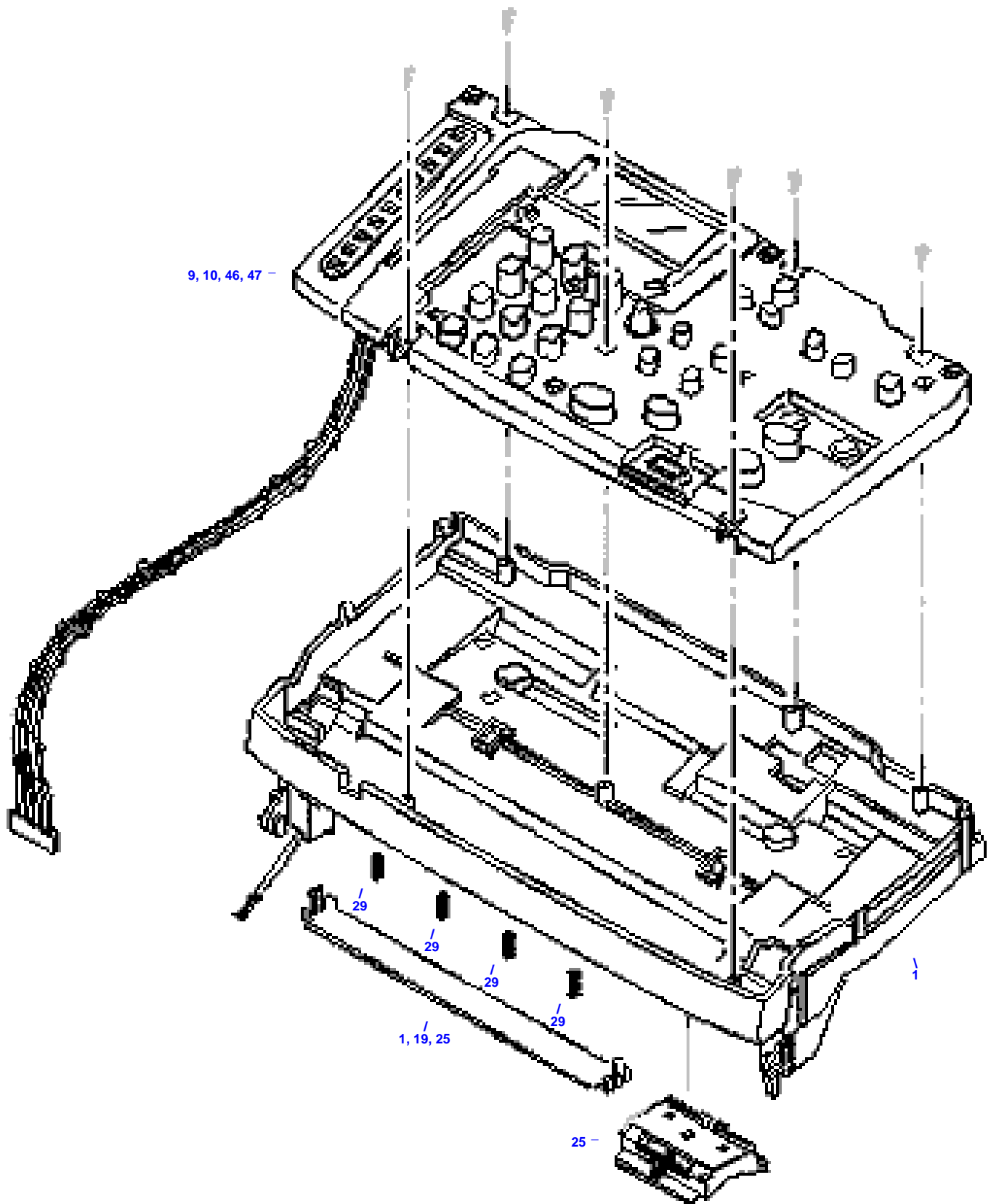
 Rear Case Assembly - 88



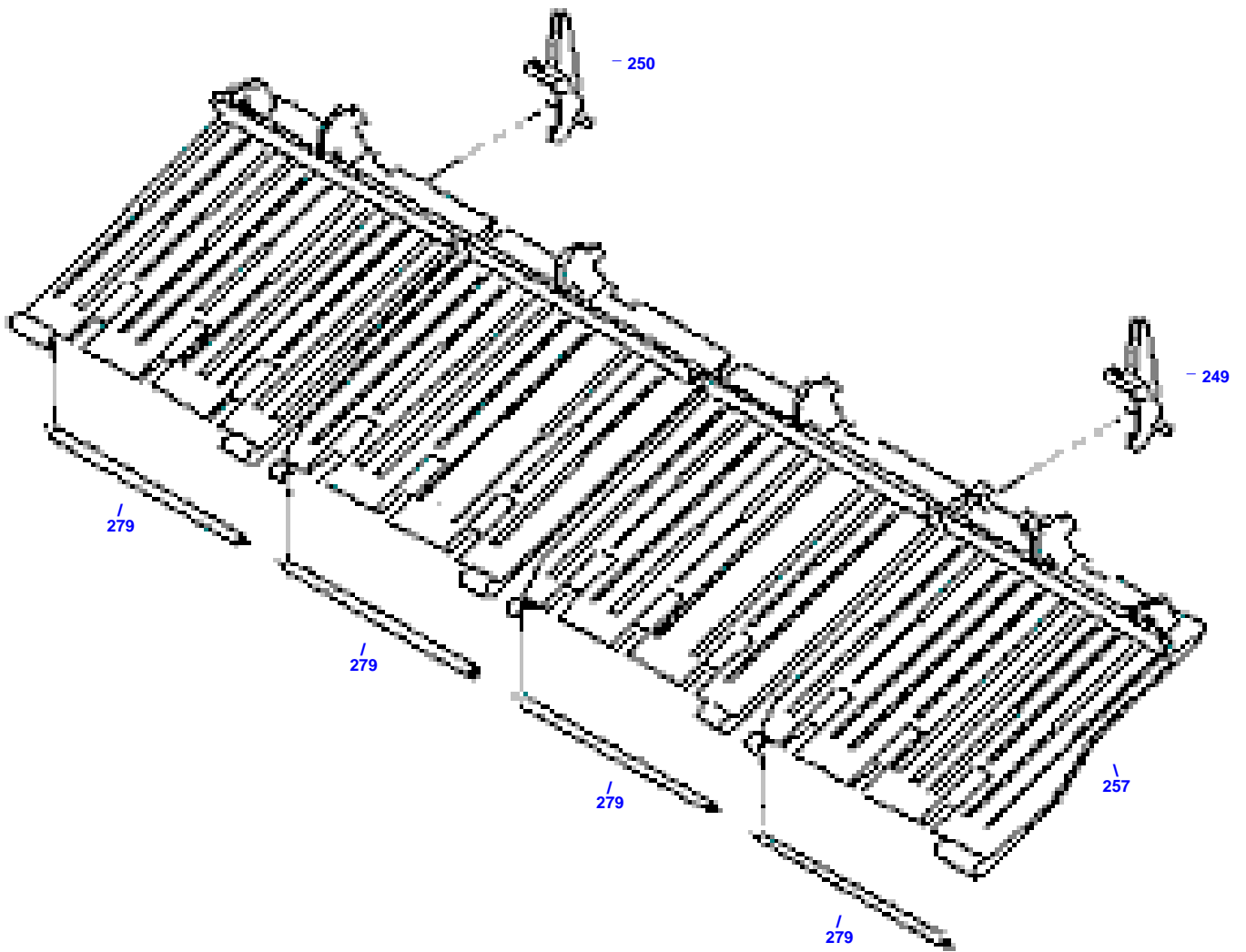
Service Station



Upper ADF Assembly



Upper Paper Guide Assembly





HP Parts Reference Guide

<http://www.hp.com/go/parts>

HP PartSurfer

<http://partsurfer.hp.com>

HP Parts Ordering Information

<http://www.hp.com/go/hpparts>

HP Parts Questions/Comments

<http://partsurfer.hp.com/contactus.htm>